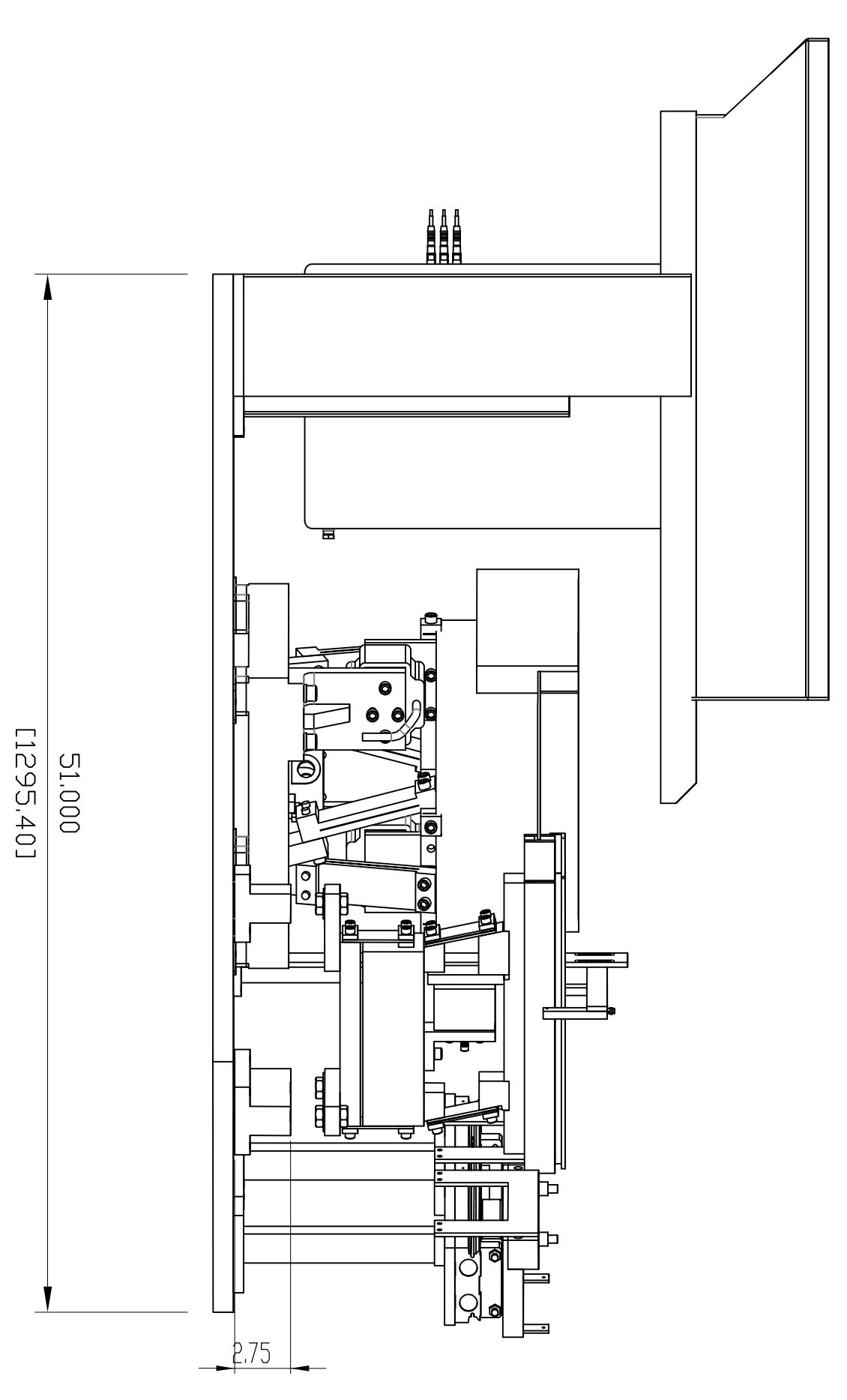
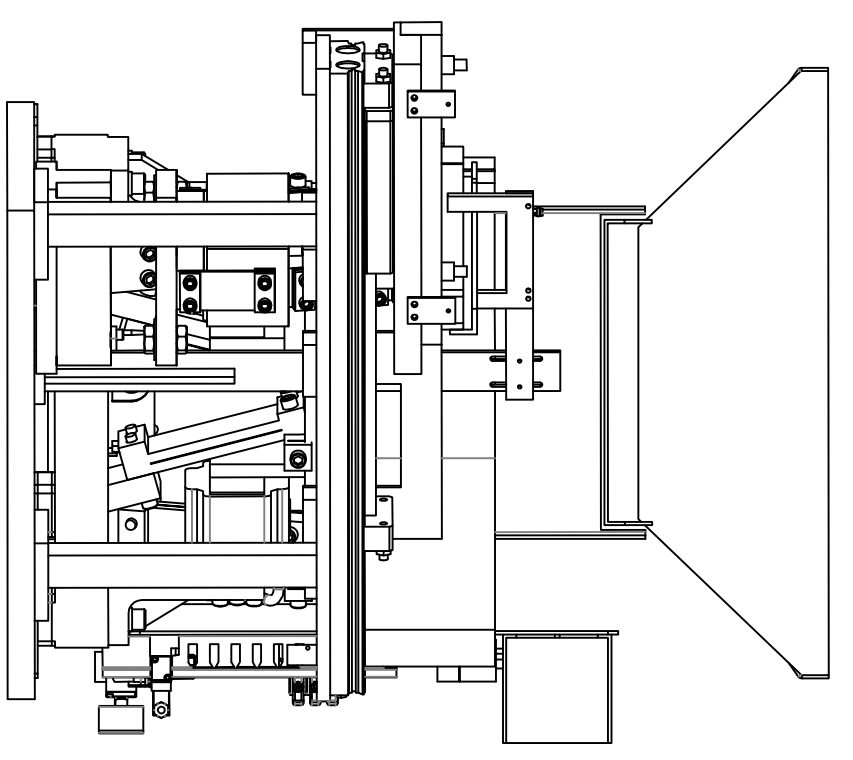
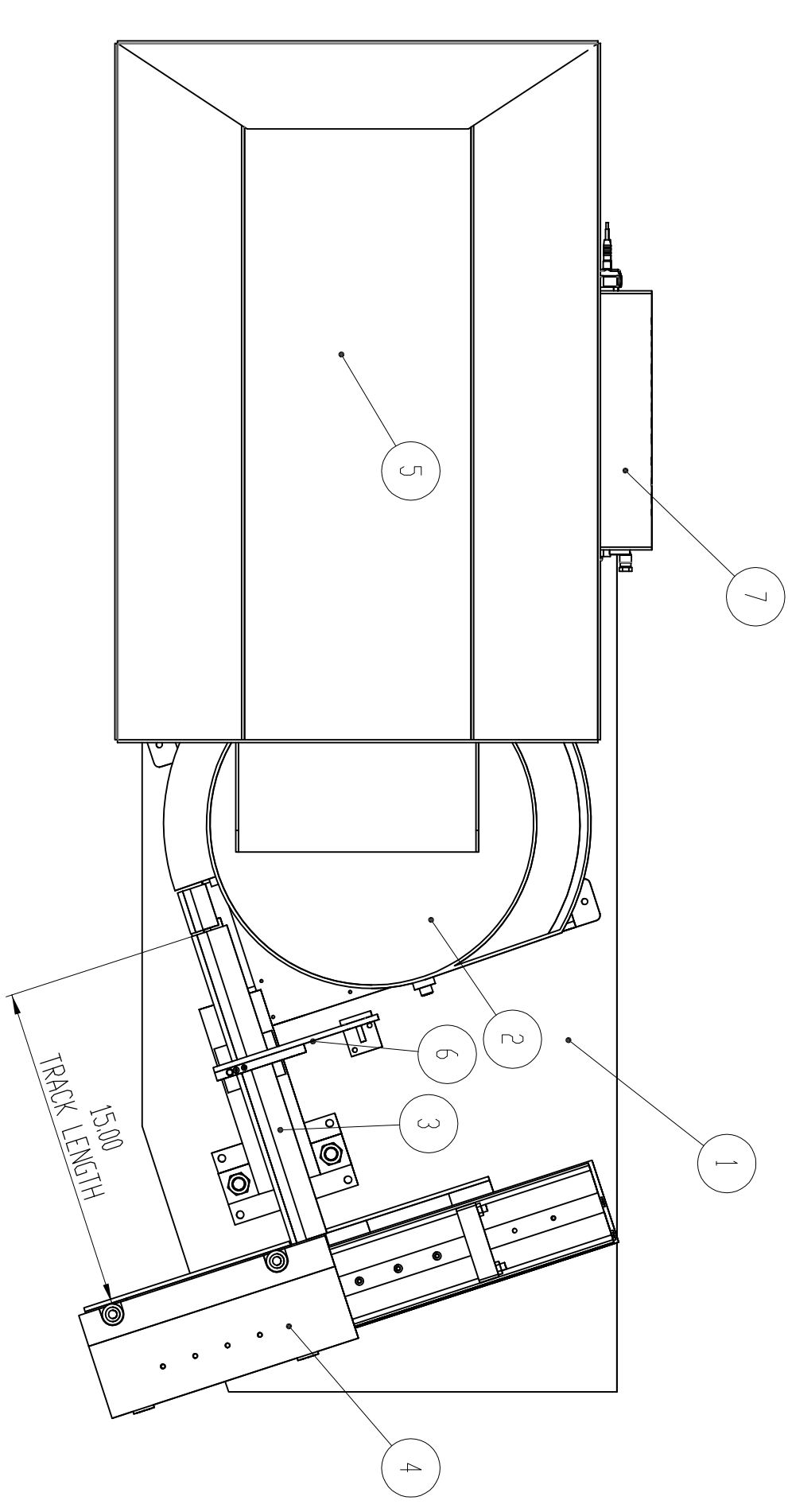
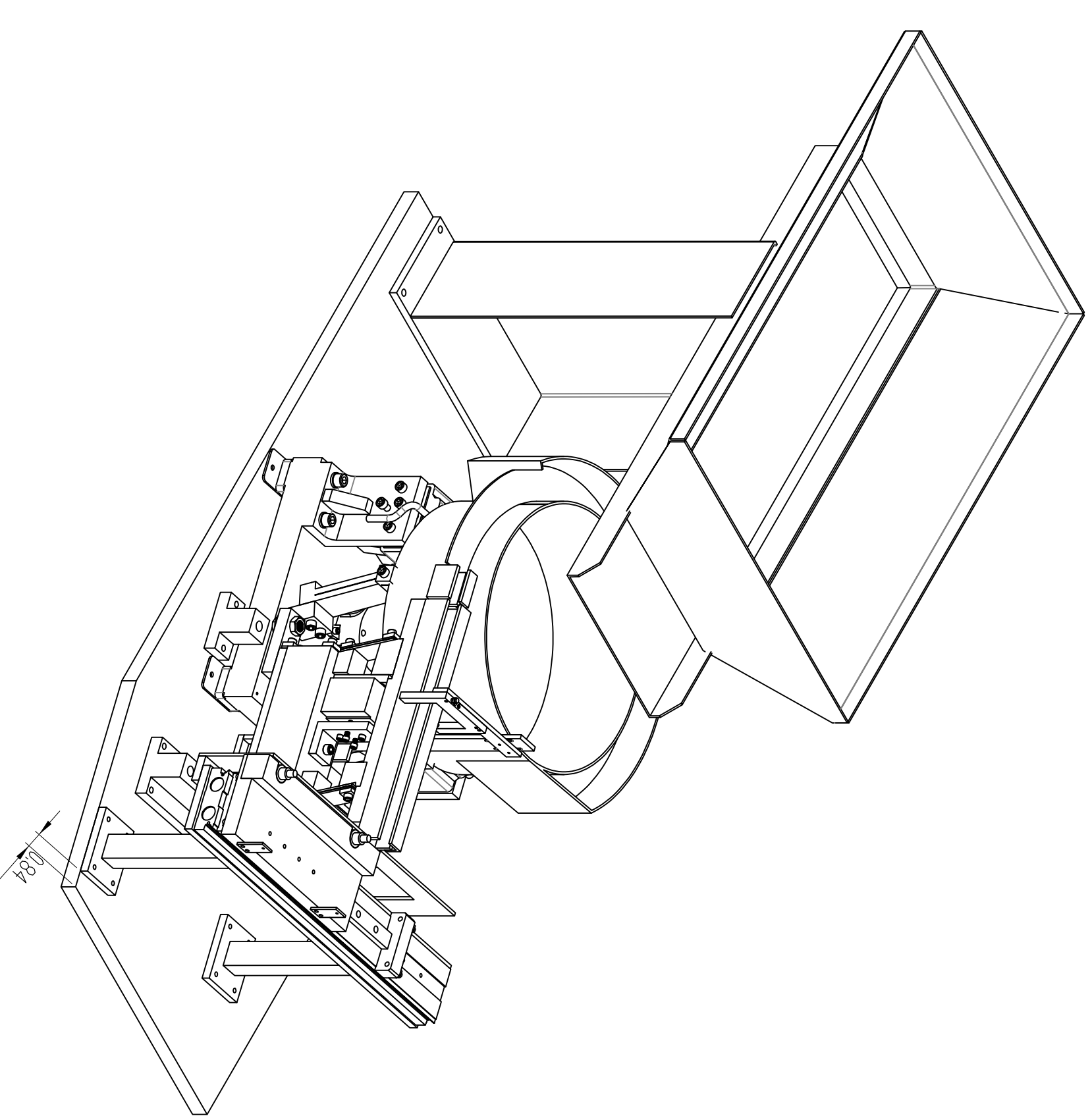


8 7 6 5 4 3 2 1

ITEM NO.	PART NUMBER	DESCRIPTION	QTY.
1	MOUNTING PLATE	PLATE	1
2	1ST COV BOWL		1
3	TRACK AND INLINE		1
4	ESCAPMENT		1
5	3 CUBIC FOOT SF HOPPER ASSEMBLY	22.25x32.25	1
6	HIGH LEVEL SENSOR		
7	CONTROLLER and STAND ASSEMBLY		1



MACHINING TOLERANCE		STRUMAG	
1-PLACE DEC +/- .050"		TEL. (905) 354-7407	FX (905) 354-1401
2-PLACE DEC +/- .005"		DRAWN BY: ELIOTW	DESIGNED BY: SCALE 1:1
3-PLACE DEC +/- .0005"		TITLE: GENERAL ASSEMBLY	
REMOVE ALL BARRS AND SHARP EDGES		CUSTOMER: AVY GAUGE	DRAWING NO: 21-0011-000

MACHINING TOLERANCE		REMOVE ALL SHARP EDGES AND CORNERS	
1-PLACE DEC +/- .050"		STRUMAG	
2-PLACE DEC +/- .005"		TEL. (905) 354-7407	FX (905) 354-1401
3-PLACE DEC +/- .0005"		DRAWN BY: ELIOTW	DESIGNED BY: SCALE 1:1
REMOVE ALL BARRS AND SHARP EDGES		TITLE: MULTIPLE TITING FEED SYSTEM C/W INTERCHANGEABLE TOOLING	
		CUSTOMER: R&S EQUIPMENT	DRAWING NO: 23244

8 7 6 5 4 3 2 1

CURRENT JOB NUMBER	PART NUMBER
--------------------	-------------

STRUMAG	TEL. (905) 354-7407	FX (905) 354-1401
MULTIPLE TITING FEED SYSTEM C/W INTERCHANGEABLE TOOLING	DRAWN BY: ELIOTW	DESIGNED BY: SCALE 1:1
R&S EQUIPMENT	CUSTOMER: R&S EQUIPMENT	DRAWING NO: 23244