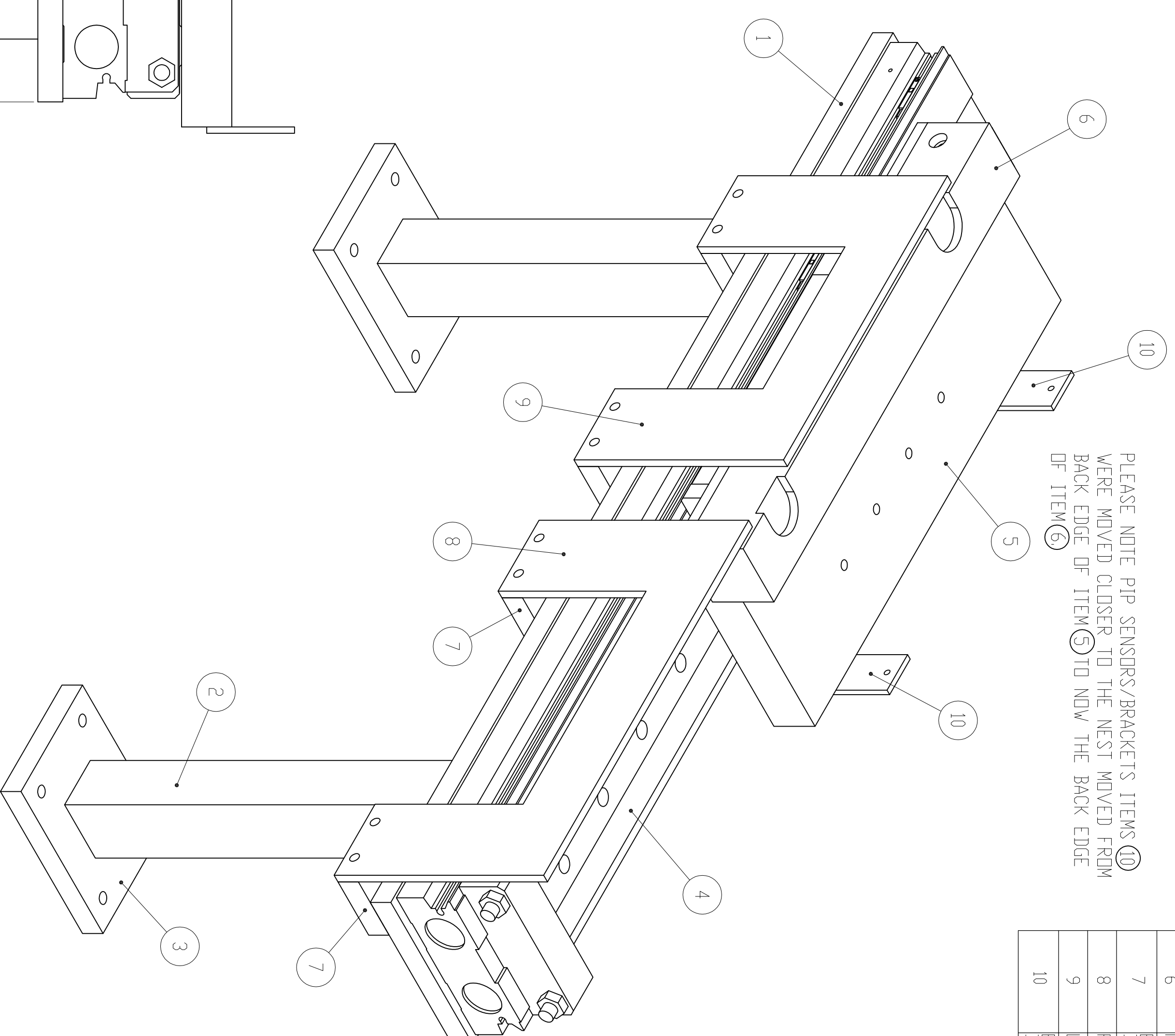
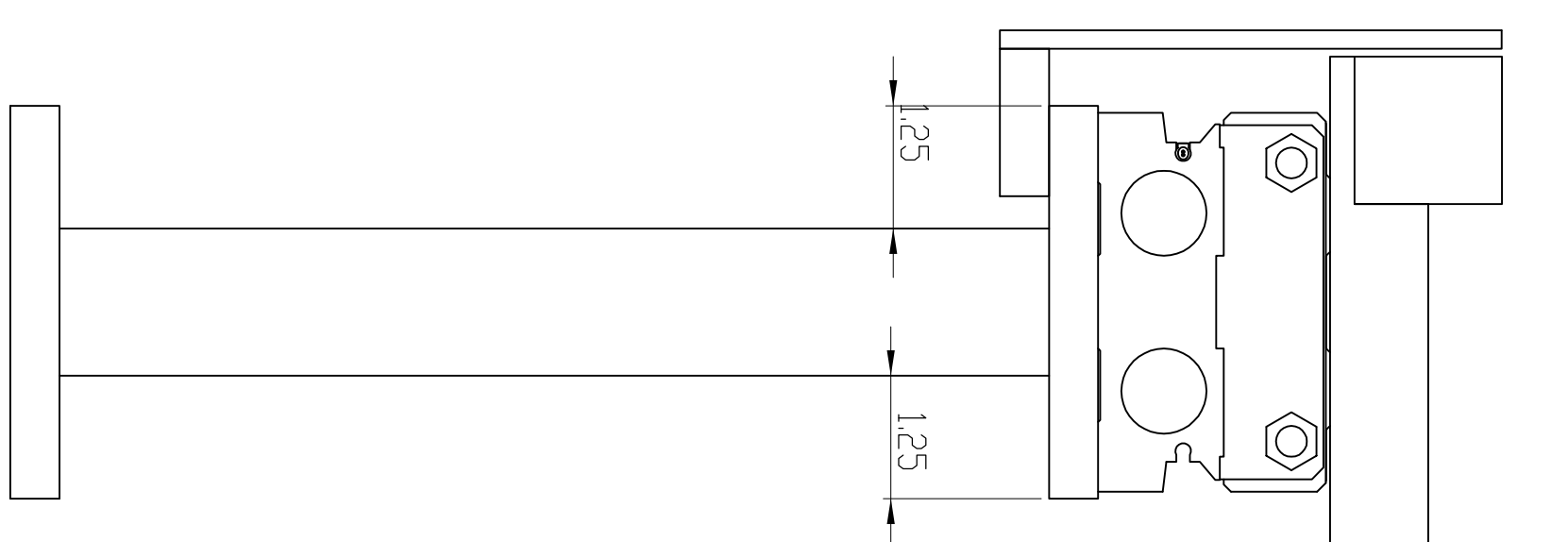
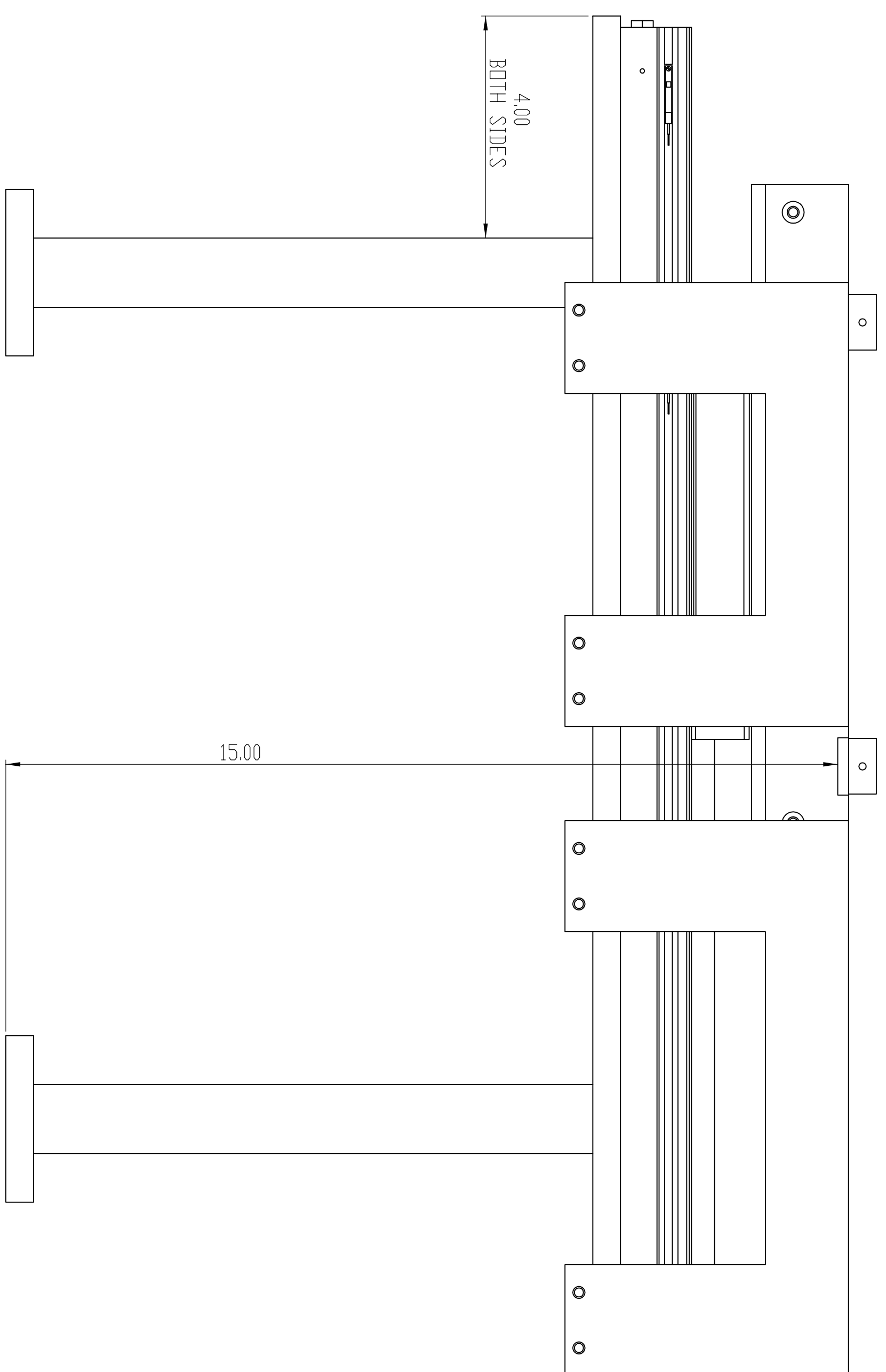
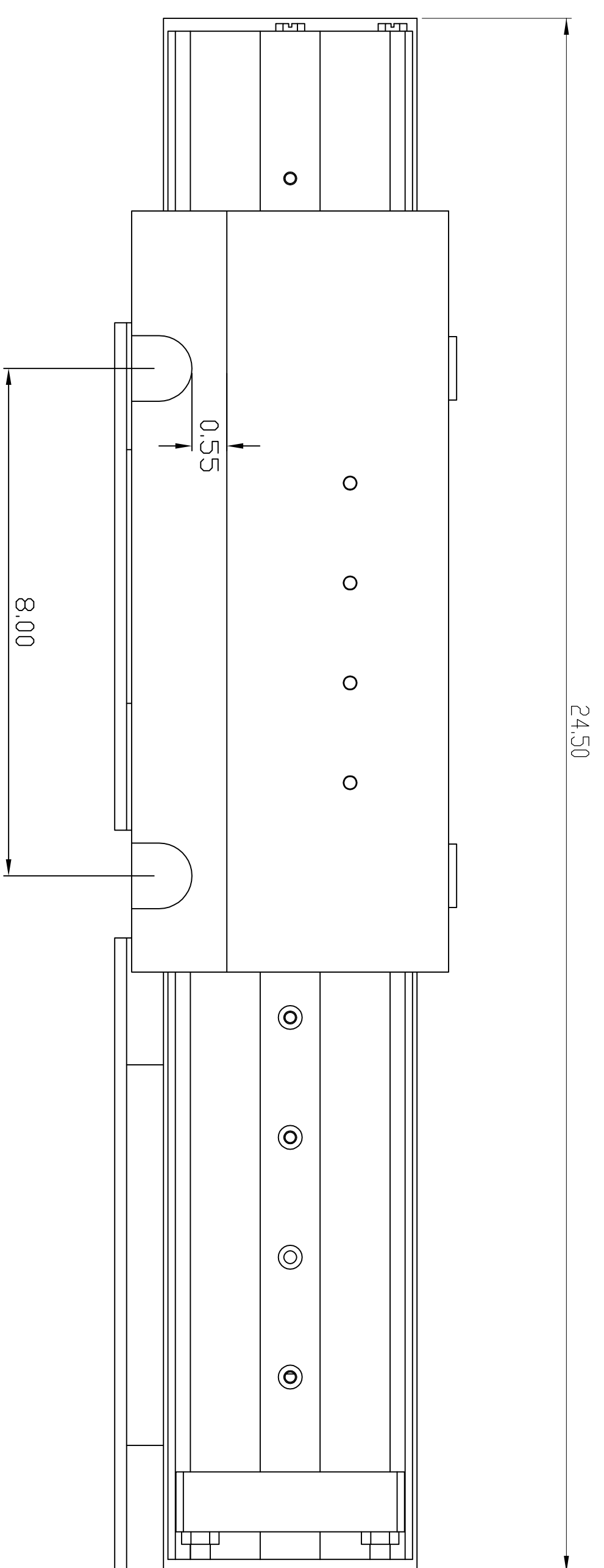


ITEM NO.	PART NUMBER	DESCRIPTION	QTY.
1	Escapement Slide Base	21-001-202	1
2	Escapement Stand	21-001-203	2
3	Escapement Base	21-001-203	2
4	MXW20-250-M9B		1
5	Escapement Nest Base	21-001-201	1
6	Nest	21-001-201	1
7	Escapement Hold Back Bracket	21-001-202	4
8	Right Hold Back Arm	21-001-202	1
9	Left Hold Back Arm	21-001-202	1
10	Escapement PNP Bracket	21-001-203	2

PLEASE NOTE PNP SENSORS/BRAKETS ITEMS ⑩ WERE MOVED CLOSER TO THE NEST MOVED FROM BACK EDGE OF ITEM ⑤ TO NOW THE BACK EDGE OF ITEM ⑥



MACHINING TOLERANCE  
 1-PLACE DEC +/-0.050\*  
 2-PLACE DEC +/-0.005\*  
 3-PLACE DEC +/-0.0005\*  
 REMOVE ALL BURRS AND SHARP EDGES

STRIDMAG  
 TEL. (905) 354-7407 FAX (905) 354-1401  
 DRAWN BY: ELIOT W. REVISED BY: SCALE: 1:2  
 TITLE: RIVET ESCAPEMENT  
 CUSTOMER: AV GAUGE DRAWING NO: 21-001-200